



Self-Furring Dimple Lath

1/4" Self-furring, dimpled, expanded mesh plaster and stucco base

A self-furring expanded dimpled metal lath ideal for interior and exterior use over sheathing, masonry, and other solid surfaces as required per ASTM C847, ASTM C1780, ASTM C1063. The 1/4" dimpled furring allows for more thorough plaster or stucco embedment into and behind the lath for superior mechanical bonding.

The dimple-patterned, self-furring plaster base is manufactured with evenly spaced indentations that hold the metal lath 1/4" away from the surface to be plastered. This results in an even and thorough embedment of the plaster.

The dimples are spaced every 4"-6" over the rectangular sheet. This lath is ideal for manufactured stone installations per ASTM C1780 or typical plaster applications per ASTM C1063.

2.5# and 3.4# self-furring dimple lath is available with G30/G60/G90 coating with a special order and lead time. Self-furring dimple lath is also available with a 60-Minute Grade-D asphalt paper-backing (APB) weather resistant barrier.

Product Data & Ordering Information:

Material: G30/G60/G90 Galvanized Steel. SS304 is available.

Packaged: 250/500/750/1000 pieces per pallet

Product Code	Wt. per Sq. Yd.	Sheet Size	Pcs./Bdl.	Yds./Bdl.	Yds./Pallet
YZ2.5	2.5 lbs.	27" x 97"	10	20	500
YZ3.4	3.4 lbs.	27" x 97"	10	20	500

ASTM & Code Standards:

- Material: ASTM C847
- All Expanded Metal Lath is fabricated from prime galvanized steel, G30/G60/G90 zinc coating by the hot dipped method, conforming to Specification ASTM A653/A653M.
- Installation: ASTM C1063 (exterior), ASTM C841 (interior), ASTM C1780 (thin veneer stone).

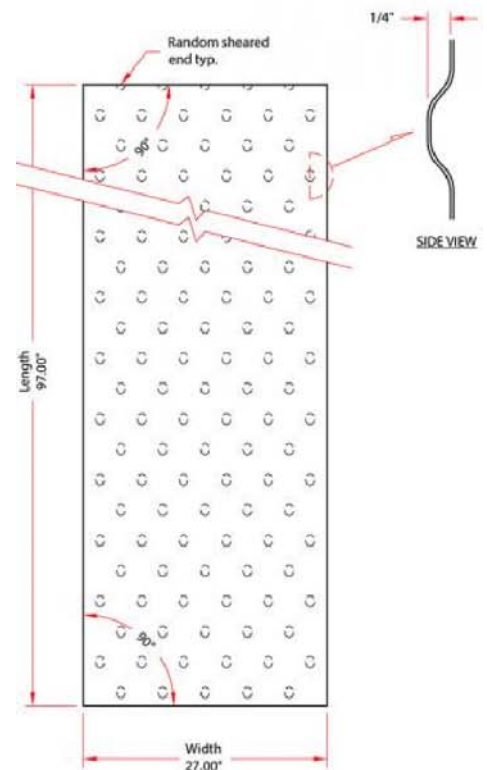
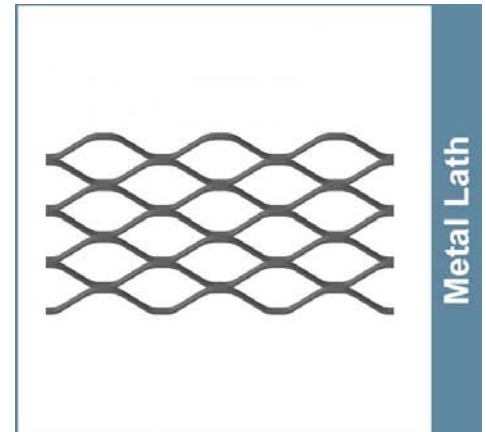
Storage:

All stored materials shall be kept dry. Materials shall be stacked off the ground, supported on a level platform, and protected from the weather and surface contamination per ASTM C847 & C1063.

Limitations:

Galvanized steel products should not be used with magnesium ox chloride cement stucco or Portland cement stucco containing calcium chloride additives.

Metal Lath



Project Information

Name:
Address:

Contractor Information

Name:
Contact:
Phone:
Fax:

Architect Information

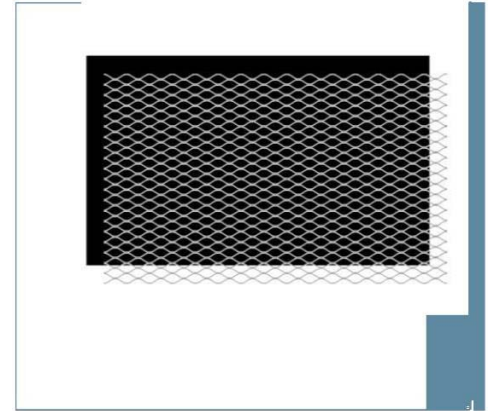
Name:
Contact:
Phone:
Fax:



09.22.36 (Metal Lath)

Paper-Backed Diamond Mesh Lath A Galvanized Expanded Steel Plaster/Stucco Base

A superior diamond mesh multi-purpose expanded steel base with an approved Grade-D Breather sheet spot attached. Application of asphalt paper-backed (APB) metal lath is used behind stone, traditional stucco and tile installations as a certified breather sheet and also aids in preventing loss of plaster when applying. It is an excellent base for spray on structural fireproofing, ornamental work, and under ceramic tile. It provides protection against wet areas during stucco curing. The asphalt paper-backed breather sheet meets Federal Specification UUB790A; Type 1, Grade D, Style 2 and is printed on the face of the paper for easy identification. APB is also available with Dimple and V-Groove self furring metal lath.



Product Data & Ordering Information:

Material: G-60 Galvanized Steel

Packaged: 25 bundles or 250 pieces per pallet

Finish	Wt. per Sq Yd.	Sheet Size	Pcs./Bdl.	Yds./Bdl.	Yds./Pallet
Galv.	2.5 lbs.	27" x 97"	10	20	500
Galv.	3.4 lbs.	27" x 97"	10	20	500

ASTM & Code Standards:

- ASTM C1063, C841, C847, CE 240.01 and ML/SFA-920
- All Expanded Metal Lath is fabricated from prime galvanized steel, G60 zinc coating by the hot dipped method, conforming to Specification ASTM A-653/A-653M.
- Asphalt paper-backed breather sheet meets Federal Specification UUB790A; Type 1, Grade D, Style 2.
- MSDS & Product Certification Information is yazhaotech@gmail.com
- For installation and placement instructions refer to ASTM C1063, C841 and C926.

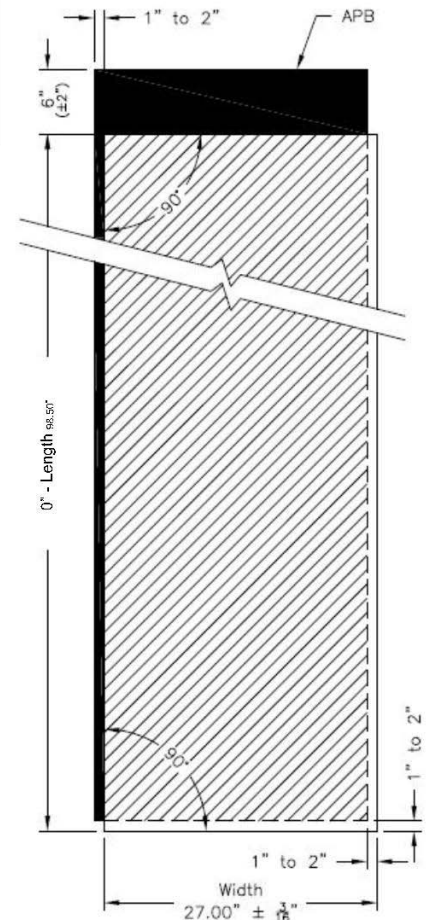
Storage:

All stored materials shall be kept dry. Materials shall be stacked off the ground, supported on a level platform, and protected from the weather and surface contamination. Per ASTM C-1063

Limitations:

Galvanized steel products should not be used with magnesium oxychloride cement stucco or Portland cement stucco containing calcium chloride additives.

- Grade D paper available on Flat, Dimple & V-Groove Lath



Full sized lath panel

Metal Lath Meet Yazhao Technology Building Systems

Project Information

Name:
Address:

Contractor Information

Name:
Contact:
Phone:
Fax:

Architect Information

Name:
Contact:
Phone:
Fax:



#15 Double-V Control Joint Expanded flange control joint

#15 Expanded Flange Control Joint (Double-V) is used to relieve stresses in large plastered areas of walls, ceilings, and stucco areas. The Double-V Control Joint counteracts the inherent shrinkage during stucco curing and general thermal changes.

This nearly inconspicuous, expanded wing control joint minimizes cracking and assures proper plaster and stucco thickness.

Ground heights include 3/8" for thin coat plaster and 1/2", 3/4" and 7/8" for conventional plaster applications. Follow use provisions outlined in ASTM C1063.

The #15 Double-V Control Joint is also available in zinc alloy for increased corrosion resistance.

Product Data & Ordering Information:

Material: 26 Gauge, G30/G60 Hot-Dipped Galvanized Steel
Also available in 99.97% pure Zinc, compliant with ASTM B-69
Grounds: 3/8", 1/2", 5/8", 3/4" and 7/8" Grounds, 10' lengths

Ground	Length	Pcs./Ctn.
3/8"	10'	24
1/2"	10'	24
5/8"	10'	24
3/4"	10'	24
7/8"	10'	24

ASTM & Code Standards:

- ASTM C841 (interior), C1063 (exterior), CE 240.01, ASTM C926, ML/SFA-920, the International Code Council IBC and IRC.
- All Expanded Metal Lath Accessories are fabricated from prime galvanized steel G60/G30 zinccoating by the hot dipped method, conforming to steel and coating specification ASTM A-653/A-653M or zinc alloy meeting ASTM B-69 as required in ASTM C1063 and C847.
- For installation and placement instructions refer to ASTM C1063, C841 and C926.

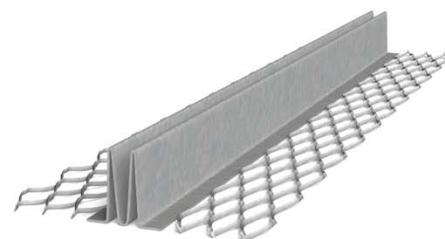
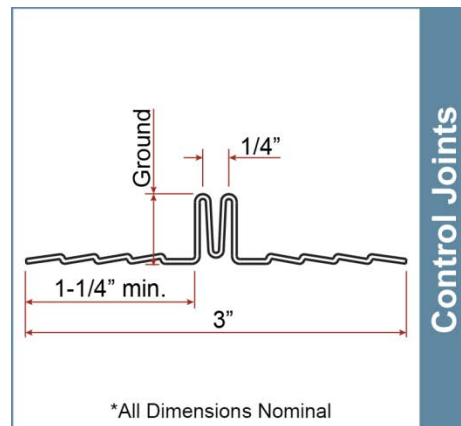
Storage:

All stored materials shall be kept dry. Materials shall be stacked off the ground, supported on a level platform, and protected from the weather and surface contamination conforming to ASTM C1063.

Limitations:

Galvanized steel products should not be used with magnesium ox chloride cement stucco or Portland cement stucco containing calcium chloride additives. The selection of the appropriate type of material for accessories shall be determined by the surrounding climatic and environmental conditions such as salt air, industrial pollution and high humidity.

Double-V Control Joint



Project Information

Name:
Address:

Contractor Information

Name:
Contact:
Phone:
Fax:

Architect Information

Name:
Contact:
Phone:
Fax:



#66N Short Flange Casing Bead

Short flange casing bead to terminate stucco or plaster edge

Used as a stucco/plaster stop to provide a screed edge and protective finish trim while terminating plaster in a clear, straight line at windows, doors, and other openings.

The #66N is recommended as a divider at the edge between plaster and other dissimilar materials. When used in conjunction with metal lath, the 66N is installed under the lath.

The #66N short flange is used under regular corner reinforcement conditions where an expanded flange is not required. Available with or without weep holes. Also available in zinc alloy.

Product Data & Ordering Information:

Material: 26 Gauge, G30/G60 Hot-Dipped Galvanized Steel.
Also available in 99.97% pure Zinc, compliant with ASTM B-69
Dimensions: 3/8" to 1-1/4" Grounds, 10' lengths.

Ground	Length	Pcs./Ctn.	Ft./Ctn.	Wt./Ctn.	Ctn./Skid
3/8"	10'	30	300	46 lbs.	20
1/2"	10'	30	300	46 lbs.	20
3/4"	10'	30	300	49 lbs.	20
7/8"	10'	30	300	54 lbs.	20
1"	10'	30	300	56 lbs.	20
1-1/4"	10'	30	300	60 lbs.	20

ASTM & Code Standards:

- ASTM C841 (interior), C1063 (exterior), CE 240.01, ASTM C926, ML/SFA-920, the International Code Council IBC and IRC.
- All Expanded Metal Lath Accessories are fabricated from prime galvanized steel G30/G60 zinc coating by the hot dipped method, conforming to steel and coating specification ASTM A-653/A-653M or zinc alloy meeting ASTM B-69 as required in ASTM C1063 and C847.
- For installation and placement instructions refer to ASTM C1063, C841 and C926, thin stone ASTM C1780.

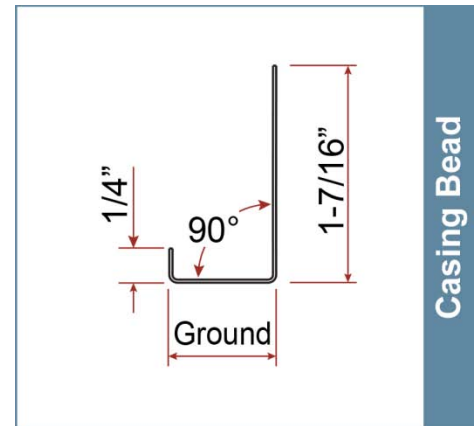
Storage:

All stored materials shall be kept dry. Materials shall be stacked off the ground, supported on a level platform, and protected from the weather and surface contamination conforming to ASTM C1063.

Limitations:

Galvanized steel products should not be used with magnesium ox chloride cement stucco or Portland cement stucco containing calcium chloride additives. The selection of the appropriate type of material for accessories shall be determined by the surrounding climatic and environmental conditions such as salt air, industrial pollution and high humidity.

Short Flange Casing Bead



Project Information

Name:
Address:

Contractor Information

Name:
Contact:
Phone:
Fax:

Architect Information

Name:
Contact:
Phone:
Fax:



#66X Expanded Flange Casing Bead

Expanded flange casing bead or plaster stop

Used as a stucco/plaster stop to provide a screed edge and protective finish trim while terminating plaster or thin stone in a clear, straight line at doors, windows, and other openings. The #66X is recommended as an edge divider between plaster and other dissimilar materials. An expanded flange makes tie-on applications easier.

Not recommended at base of wall in lieu of an FHA-7 Foundation Weep Screed. Designed for use under extreme reinforcement conditions where a standard short flange casing bead will be inadequate. #66X Casing Beads are available with or without weep holes and available in zinc alloy for advanced corrosion resistance.

Product Data & Ordering Information:

Material: 26 Gauge, G30/G60 Hot-Dipped galvanized steel
Also available in 99.97% pure Zinc, compliant with ASTM B69
Dimensions: 1/4" to 1-1/4" Grounds, 10' lengths

Ground	Length	Pcs./Ctn.	Ft./Ctn.	Wt./Ctn.	Ctn./Skid
1/4"	10'	30	300	46 lbs.	20
3/8"	10'	30	300	46 lbs.	20
1/2"	10'	30	300	46 lbs.	20
5/8"	10'	30	300	49 lbs.	20
3/4"	10'	30	300	49 lbs.	20
7/8"	10'	30	300	54 lbs.	20
1"	10'	30	300	56 lbs.	20
1-1/4"	10'	30	300	60 lbs.	20

ASTM & Code Standards:

- Material: ASTM C1063
- Installation: C1063 (exterior), ASTM C841 (interior) and EMLA-920
- Thin stone ASTM C1780.

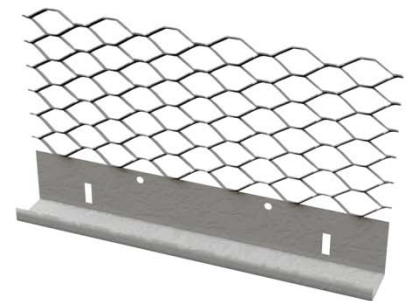
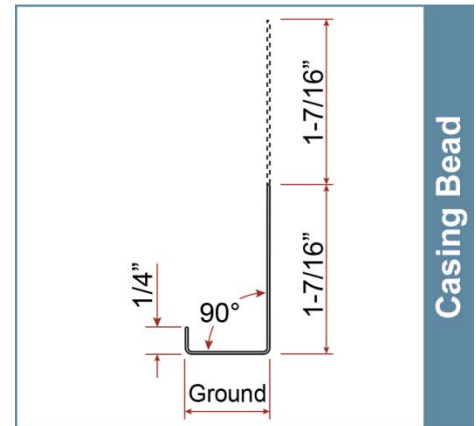
Storage:

All stored materials shall be kept dry. Materials shall be stacked off the ground, supported on a level platform, and protected from the weather and surface contamination conforming to ASTM C1063.

Limitations:

Galvanized steel products should not be used with magnesium ox chloride cement stucco or Portland cement stucco containing calcium chloride additives. The selection of the appropriate type of material for accessories shall be determined by the surrounding climatic and environmental conditions such as salt air, industrial pollution and high humidity.

Expanded Flange Casing Bead



Project Information

Name:
Address:

Contractor Information

Name:
Contact:
Phone:
Fax:

Architect Information

Name:
Contact:
Phone:
Fax:



#1A Expanded Corner Bead

Galvanized steel expanded flange corner bead for exterior corners

A solid nose, all-purpose exterior corner bead. Strong and economical with multiple general use purposes.

The wide, expanded-wing flanges are flexible and can compensate for most irregular surfaces providing even grounds and straight corners. The expanded steel near the nose of the corner bead provides multiple plastering and stucco keys allowing for reinforcement and strength where it is needed the most. In addition to reinforcing corners, the #1A Corner Bead can also be used as a return accessory around any recessed opening or as a corner for spray-applied fireproofing when the column of bead is boxed in..

Product Data & Ordering Information:

Material: 26 Gauges, G30/G60 Hot-Dipped Galvanized Steel. Also available in 99.97% pure Zinc, compliant with ASTM B-69.

Dimensions: Nominal 2-7/8" Full Wing Flange

Length	Pcs./Ctn.	Ft./Ctn.	Ctn./Skid	Wt./Ctn.
10'	30	300'	20	49 lbs.

ASTM & Code Standards:

- ASTM C841 (interior), C1063, CE 240.01 (exterior), ASTM C926, UBC, ML/SFA-920, the International Code Council IBC and IRC.
- All Expanded Metal Lath Accessories are fabricated from prime galvanized steel G60 zinc coating by the hot dipped method, conforming to steel and coating specification ASTM A-653/A-653M or zinc alloy meeting ASTM B-69 as required in ASTM C1063 and C847.
- For installation and placement instructions refer to ASTM C1063, C841 and C926.

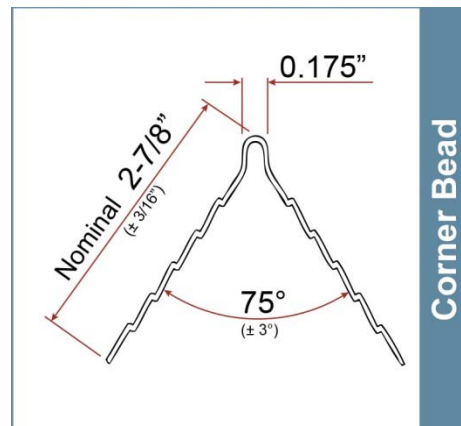
Storage:

All stored materials shall be kept dry. Materials shall be stacked off the ground, supported on a level platform, and protected from the weather and surface contamination conforming to ASTM C1063.

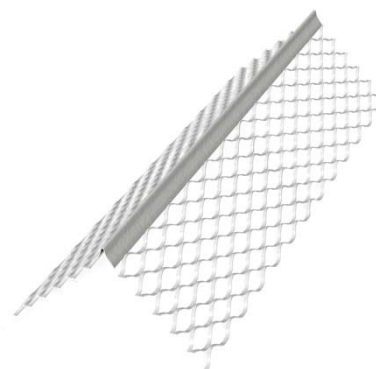
Limitations:

Galvanized steel products should not be used with magnesium oxychloride cement stucco or portland cement stucco containing calcium chloride additives. The selection of the appropriate type of material for accessories shall be determined by the surrounding climatic and environmental conditions such as salt air, industrial pollution and high humidity.

Expanded Corner Bead



- Provides true, straight and accurate corners
- Flexible for irregular surfaces



Project Information

Name:
Address:

Contractor Information

Name:
Contact:
Phone:
Fax:

Architect Information

Name:
Contact:
Phone:
Fax:



Expansion Joints (Slip Joint) 1/2" Reveal

Designed to relieve stress in wall and ceiling areas

Used where excessive horizontal and vertical movements might occur. Includes an additional design feature of a 1/2" reveal.

Applications: Stucco

Product Data & Ordering Information:

Product code	Ground	Pcs./Box
YZ38	3/8"	25
YZ12	1/2"	25
YZ58	5/8"	25
YZ34	3/4"	25
YZ78	7/8"	20
YZ01	1"	20

Notes: 1/2" reveal (adj. 1/4" to 5/8"), 4" to 4-3/8" overall width, perforated flanges.

Reveal also available in 1" and 1-1/2" widths.

Colors available: Standard color White or Tan, Brown, Gray and Black.

ASTM & Code Standards

Product Specifications

- ASTM D638 - Standard Test Method for Tensile Properties of Plastics
- ASTM D790 - Standard Test Methods for Flexural Properties of Unreinforced and Reinforced Plastics and Electrical Insulating Materials
- ASTM D256 - Standard test Methods for Determining the Izod Pendulum Impact Resistance of Plastics
- ASTM D648 - Standard Test Method for Deflection Temperature of Plastics Under Flexural Load in the Edgewise Position
- ASTM D696 - Standard Test Method for Coefficient of Linear Thermal Expansion of Plastics Between Negative 30 Degrees Celsius and 30 Degrees Celsius with a Vitreous Silica Dilatometer
- ASTM D1784 - Standard Classification System and Basis for Specification for Rigid Poly Vinyl Chloride (PVC) Compounds and Chlorinated Poly Vinyl Chloride (CPVC) Compounds
- ASTM D4216 Cell Class 13244C - Standard Specification for Rigid Poly Vinyl Chloride (PVC) and Related PVC and Chlorinated Poly Vinyl Chloride (CPVC) Building Products Compounds

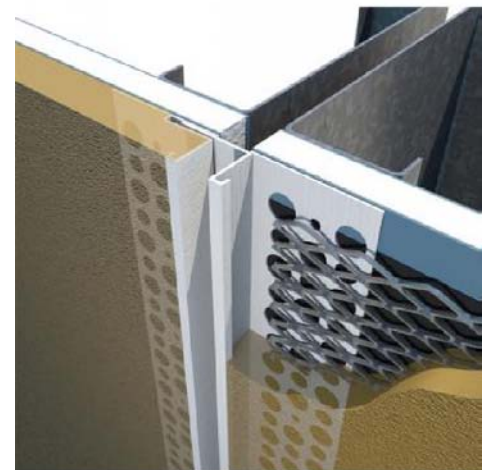
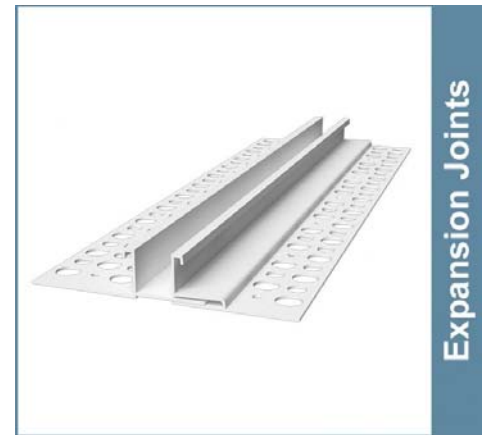
Installation Standards

- ASTM C1861 - Standard Specification for Lathing and Furring Accessories, and Fasteners, for Interior and Exterior Portland Cement-Based Plaster
- ASTM C1063 - Standard Specification for Installation of Lathing and Furring to Receive Interior and Exterior Portland Cement-Based Plaster. Table, 1, PVC for Exterior.
- ASTM C1780 - Standard Practice for Installation Methods for Cement-Based Adhered Masonry Veneer
- ASTM C841 - Standard Specification for Installation of Interior Lathing and Furring

Storage

All stored materials shall be kept dry. Materials shall be stacked off the ground, supported on a level platform, and protected from the weather.

Expansion Joint



Project Information

Name:
Address:

Contractor Information

Name:
Contact:
Phone:
Fax:

Architect Information

Name:
Contact:
Phone:
Fax:



FHA-7 Weep Sill Screed

Exterior foundation weep (sill) screed

The FHA-7 is for hard-coat stucco, thin-veneer stone, and 1-coat stucco over foam applications. Installed at the juncture of the sill and the exterior concrete foundation, it allows trapped moisture or water to drain to the exterior of the building.

The FHA-7 provides straight edge stops for applied plaster stucco and E.I.F.S. (Exterior Insulation Finishing Systems) with exacting grounds and protective weeps.

The #7 style screed is manufactured in compliance with ASTM standards and has the minimum requirement of 26-gauge, G60/G90 galvanized steel and a 3-1/2" solid nailing flange. A pure zinc alloy version (ASTM B69) is available upon request.

Product Data & Ordering Information:

Material: 26 Gauges, G60/G90 Hot-Dipped Galvanized Steel.
(Pure Zinc Alloy available upon request and priced accordingly.)

Dimensions: 3-1/2" Flange x 10' Lengths

Grounds	Flange	Length	Pcs./Bdl.	Pcs./Pallet
1/2"	3-1/2"	10'	10	1000
5/8"	3-1/2"	10'	10	1000
3/4"	3-1/2"	10'	10	1000
7/8"	3-1/2"	10'	10	1000
1-3/8"	3-1/2"	10'	10	1000

ASTM & Code Standards:

- ASTM C1063, CE 240.01 (exterior), ASTM C1780 (thin veneer stone), ASTM C926.
- All Expanded Metal Lath Accessories are fabricated from prime galvanized steel G90 zinc coating by the hot dipped method, conforming to steel and coating specification ASTM A653/A653M or zinc alloy meeting ASTM B69 as required in ASTM C1063.
- For installation and placement instructions refer to ASTM C1063, C1780 and C926.

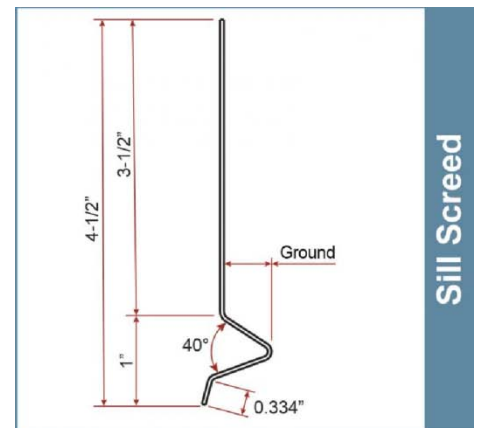
Storage:

All stored materials shall be kept dry. Materials shall be stacked off the ground, supported on a level platform, and protected from the weather and surface contamination conforming to ASTM C1063 and C1780.

Limitations:

The selection of the appropriate type of material for accessories shall be determined by the surrounding climatic and environmental conditions such as salt air, industrial pollution and high humidity.

Weep Sill Screed



Sill Screed



Project Information

Name:
Address:

Contractor Information

Name:
Contact:
Phone:
Fax:

Architect Information

Name:
Contact:
Phone:
Fax: